

IMPORTANT - PLEASE READ BEFORE CONSTRUCTION

### Framing Notes

- NOTE: ALL FRAMING MUST COMPLY WITH ALL THE FOLLOWING DECKS AND 2006 IRC.
- DO NOT SUPPORT LOAD BEYOND FROM ANY CANTILEVERED FLOOR SYSTEM.
- ALL HEADERS, POIS, AND BEAMS MUST MATCH THESE CONSTRUCTION DOCUMENTS. ALL SUBSTITUTIONS MUST HAVE A CORRESPONDING ENGINEER'S SIGNATURE AND STAMP ON VERTICAL BRACING, N.C. BEFORE CONSTRUCTION.
- ALL CONSTRUCTION MUST COMPLY W/ 2006 IRC. ALL EXIST WALLS MUST BE BRICKED W/ 4" O.C. FULL CORNER BRICK AND 2" MIN. SOLID BRICK. ALL CORNER BRICKS & 4" O.C. AND CONC. & W.W. 1" FROM CORNER. W/ STRAPS SHALL BE PERMITTED.
- BRICK Lintel SCHEDULE: REFERENCE TABLE 703.1.3 OF 2006 IRC. PROVIDE MIN. OF 4" BRACING @ E.E.
- ALL JOIST SHALL HAVE BRACING. BR GROSS BRACING @ 4000'S SHALL BE MIN. 2" X 8" OR 2" X 10" @ 8' MAX. BRACING @ MIN. OF 8' MAX.
- REFER TO PLANS FOR ANY SPECIAL BRACING INFORMATION. FIRST PLANS OVERIDE STANDARD DETAILS AND NOTES DUE TO DIFFERENT LOADING CONDITIONS.
- ALL PARTS AND TRUSSES ARE TO HAVE HARDWARE SHIPS FASTENED TO TOP PLATE OR WALL.
- ALL PRE-MANUFACTURED FLOOR SYSTEMS SHALL BE INSTALLED PER MANUFACTURER'S INSTRUCTIONS AND CONNECTION DETAILS FOR MASS BRACE BRACING AND CONNECTION DETAILS.
- ALL CONVENTIONAL LUMBER SHALL BE A MINIMUM OF 2" X 8" OR 2" X 10" @ 8' OR 10' PER JOIST. ALL JOISTS SHALL BE 2" X 8" OR 2" X 10" @ 8' OR 10' PER JOIST. ALL JOISTS SHALL BE 2" X 8" OR 2" X 10" @ 8' OR 10' PER JOIST.
- ALL JOISTS & STUDS TO BE CURED & WETTED W/ 16d NAILS @ 8" O.C.
- ALL JOISTS & STUDS TO MATCH SIZE & SPECIES OF WALL STUDS.
- ALL WALLS OVER 10'-0" SHALL BE MIN. 2" X 8" STUD WALLS @ 16" O.C. ALL WALLS W/ 2' LOOPS ABOVE SHALL BE MIN. OF 2" X 8" WALL @ 16" O.C.
- ALL WALLS SHALL CONTAIN BRACING BETWEEN STUD BAYS @ MIN. 5' WALL OVER 9' WALL SHALL CONTAIN 2 BAYS OF BRACING.
- ALL PLUMBING PIPES OR MECHANICAL CHASE LOCATIONS SHALL BE IDENTIFIED TO CONTRACTOR BEFORE CONSTRUCTION. ALL PIPES SHALL BE INSTALLED PER LOCAL CODES.
- PROVIDE SOLID BLOCKING UNDER ALL POSTS ABOVE TO 3000 BRACING.
- ALL HEADERS WERE THAN 2'-6" IN WIDTH SHALL BE MIN. (2) 2x10 AND 15. ALL GIRDERS MORE THAN 5'-6" SHALL BE MIN. (2) 2x12 OR (3) 2x10 L.A.'S WITH THE FOLLOWING PROPERTIES: F<sub>y</sub> = 3300 PSI / F<sub>c</sub> = 290 PSI / E<sub>cp</sub> = 750 PSI / E = 2100000 PSI. EQUIVALENT PRODUCTS ACCEPTABLE.

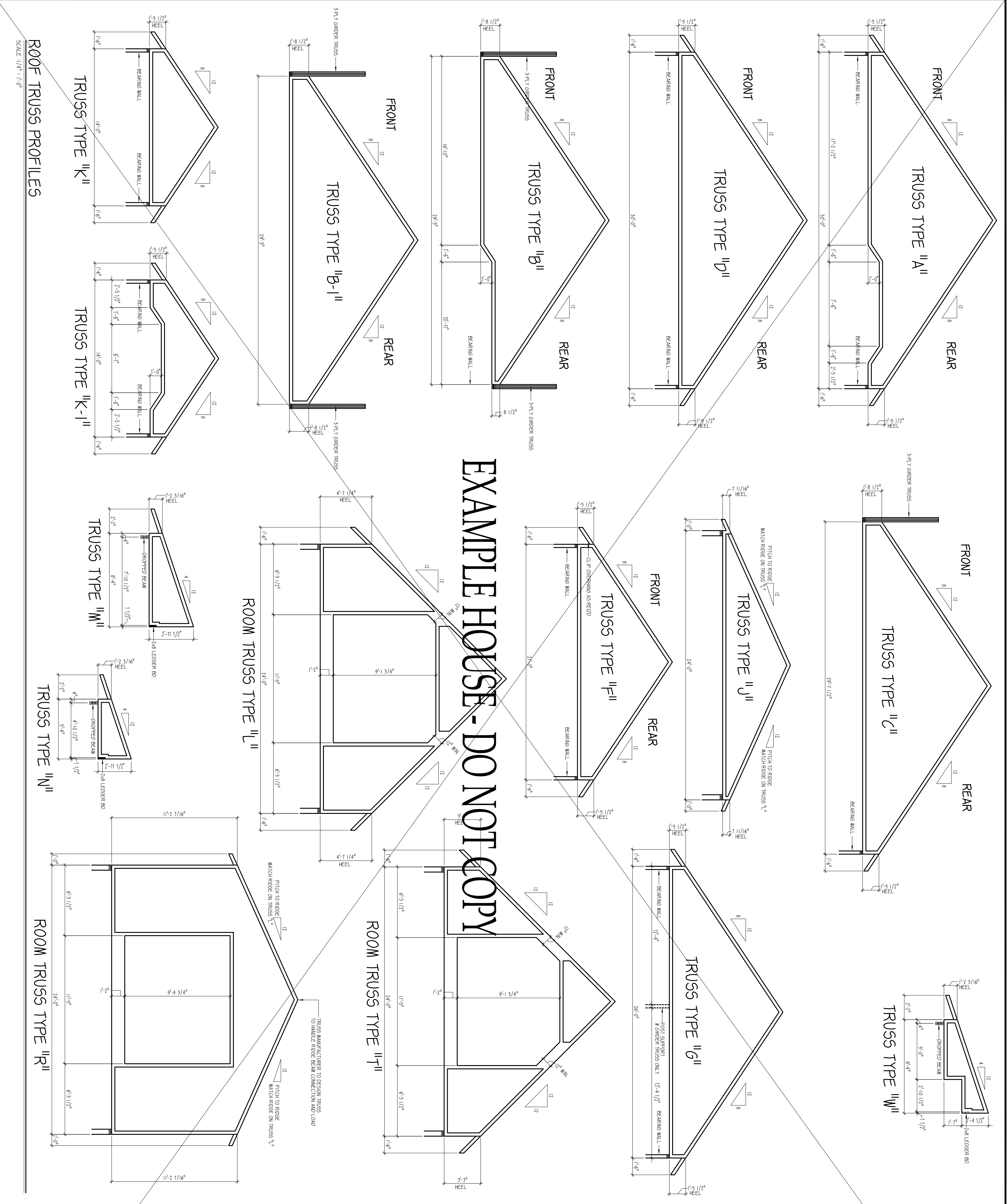
### ROOF TRUSS TIE DOWN STRAP SCHEDULE

Light Load (Not to Exceed)	Item #	Fastener (Simpson or Equal)	to rafter	to gable
100 lbs.	2-10d toe nails - per code			
340 lbs.	1/2"	5-8d	5-8d	
680 lbs.	(2) 1/2"	10-8d	10-8d	
800 lbs.	W1S2	7-10d	7-10d	
1250 lbs.	(2) L1S2	12-10d	12-10d	
1480 lbs.	(2) H10	16-8d X 1-1/2"	16-8d X 1-1/2"	
1640 lbs.	(2) W1S2	14-10d	14-10d	
2980 lbs.	(2) H4Z18	28-110d	8-10d X 1-1/2"	

\* Loads Modified for space frame framing method

### Roof Truss Notes

- TRUSS TRUSSES SHALL BE DESIGNED IN ACCORDANCE WITH IRC & ASCE 7.
- STANDARD CALCULATIONS, SAME SPACING INFORMATION, ETC. DISTANCE, ALLOWED AND DISTANCED LOAD, TEST DATA AND OTHER INFORMATION AS NECESSARY SHALL BE SUBMITTED TO LOCAL AUTHORITIES FOR APPROVAL PRIOR TO FABRICATION. EACH TRUSS SHALL BE SEALED AT BEARING WITH ONE TIE OR EQUIVALENT FRAMING ANCHOR AT EACH END.
- SESSOR TRUSSES: MANUFACTURER TO CALCULATE HORIZONTAL THRUST WITH RESONANCE TO DESIGN LOADS AND TO INCLUDE THIS INFORMATION WITH SHIP DRAWINGS.
- EGED TRUSS TO BE SEALED AT ONE END WITH A TIE OR EQUIVALENT FRAMING ANCHOR. MANUFACTURER TO CALCULATE HORIZONTAL THRUST WITH RESONANCE TO DESIGN LOADS AND TO INCLUDE THIS INFORMATION WITH SHIP DRAWINGS. THE TRUSS MUST REMAINING THE TRUSS TO MOVE OUTWARD WITHOUT BUCKLING THE WALL.
- TRUSS DIAGRAMS SHOW RESONANCE INERT. TRUSS MANUFACTURER TO VERIFY ALL SPANS, DIMENSIONS, HEEL HEIGHTS, PITCHES, ETC. TRUSS SHIP DRAWINGS INDICATING CALCULATIONS, LOADING, LOAD TEST DATA, HORIZONTAL THRUST AND ANY OTHER INFORMATION REQUIRED SHALL BE SEALED BY A PROFESSIONAL ENGINEER REGISTERED IN THE JURISDICTION WHERE CONSTRUCTION IS TO BE DONE.

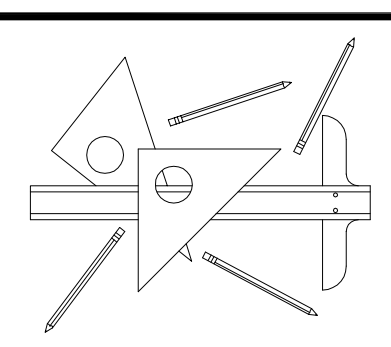


### ROOF TRUSS PROFILES

SCALE: 1/4" = 1'-0"

REVISION: 3/27/20

REVISIONS
DATE: / /
BY: / /
NOTES:
DATE: / /
BY: / /
NOTES:



**VOGEL DRAFTING INC.**  
RESIDENTIAL DRAFTING SERVICES  
4451 State Route 315, Pawlet, VT 05761  
802-325-2720 Phone - 802-325-2721 Fax  
Email - Vogelarcht@aol.com

WWW.VOGELDRAFTING.COM

Serving the Northeast in CT, DE, ME, MD, MA, NH, NY, PA, VT, VA, and D.C. Since 2000

the Smith Residence  
TRUSS PROFILES

DRAWN BY: KY  
DATE: 6/11/08  
FILE NAME:  
CLIENT:  
NOTES:

SHEET 7.01