

RIGHT SIDE ELEVATION
SCALE: 1/4" = 1'-0"

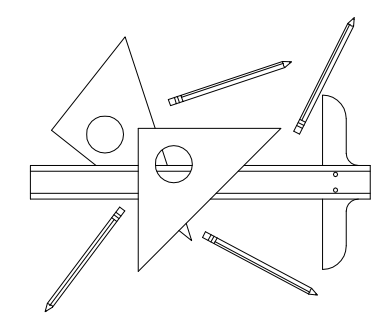
EXAMPLE HOUSE - DO NOT COPY

4.02	SHEET
	DRAFTER: KY
	DATE: 6/11/08
	FILE NAME:
CLIENT:	
NOTES:	

<p>the Smith Residence RIGHT SIDE ELEVATION</p>
--



VOGEL DRAFTING INC.
RESIDENTIAL DRAFTING SERVICES
4451 State Route 315, Pawlet, VT 05761
802-325-2720 Phone - 802-325-2721 Fax
Email - Vogelarchit@aol.com



REVISIONS	
DRAFTER:	DATE:
NOTES:	
DRAFTER:	DATE:
NOTES:	
DRAFTER:	DATE:
NOTES:	