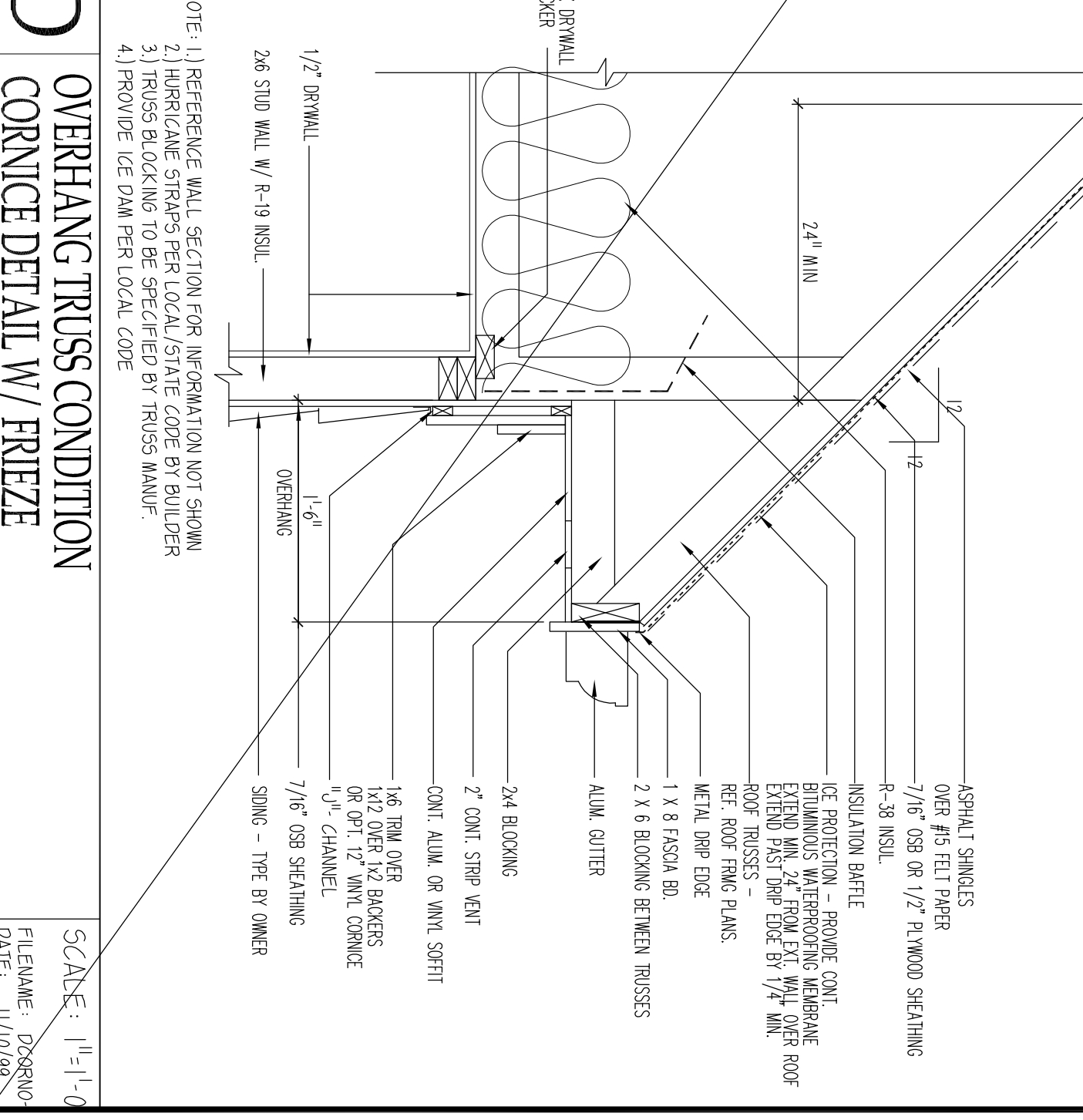
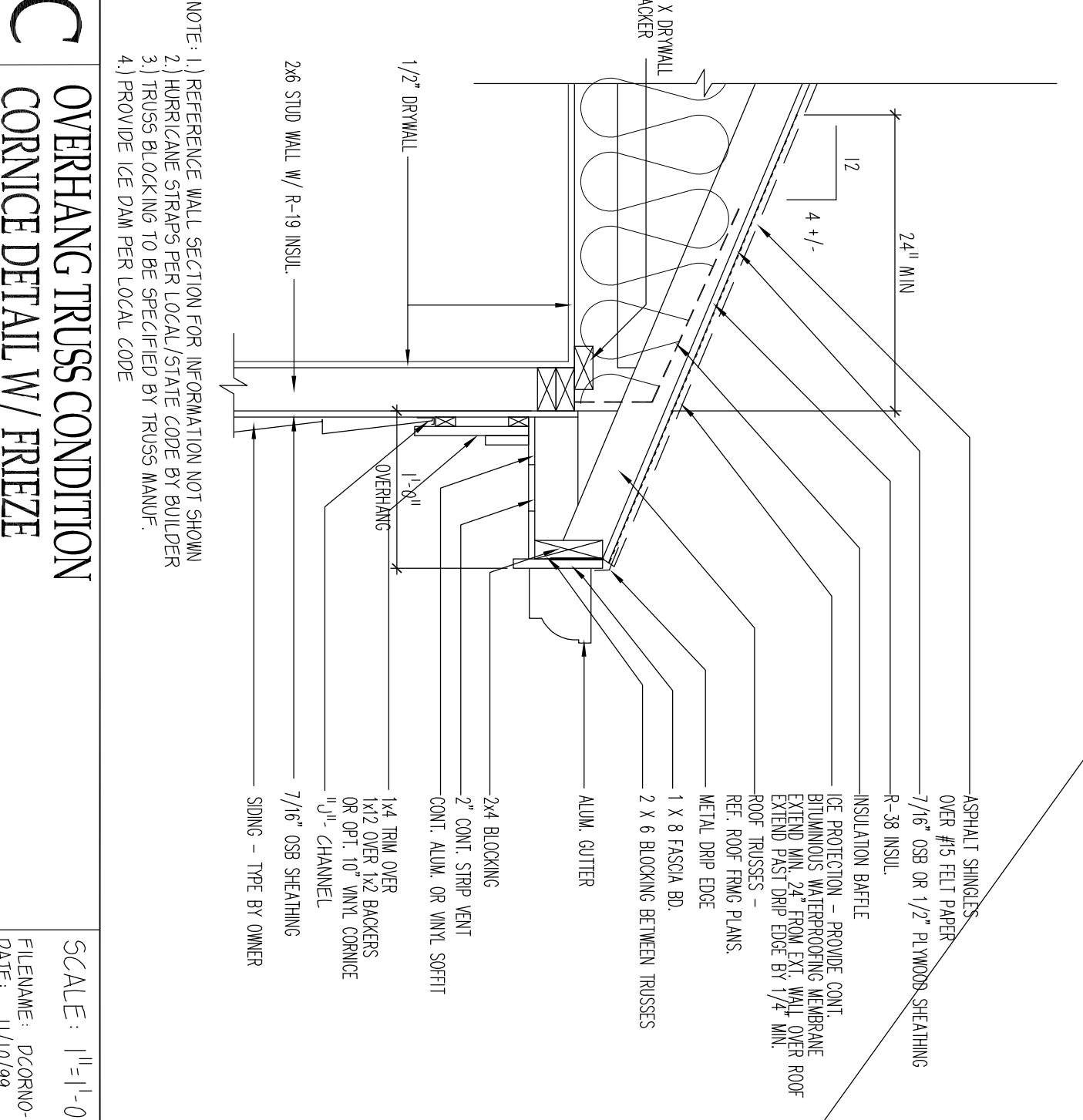
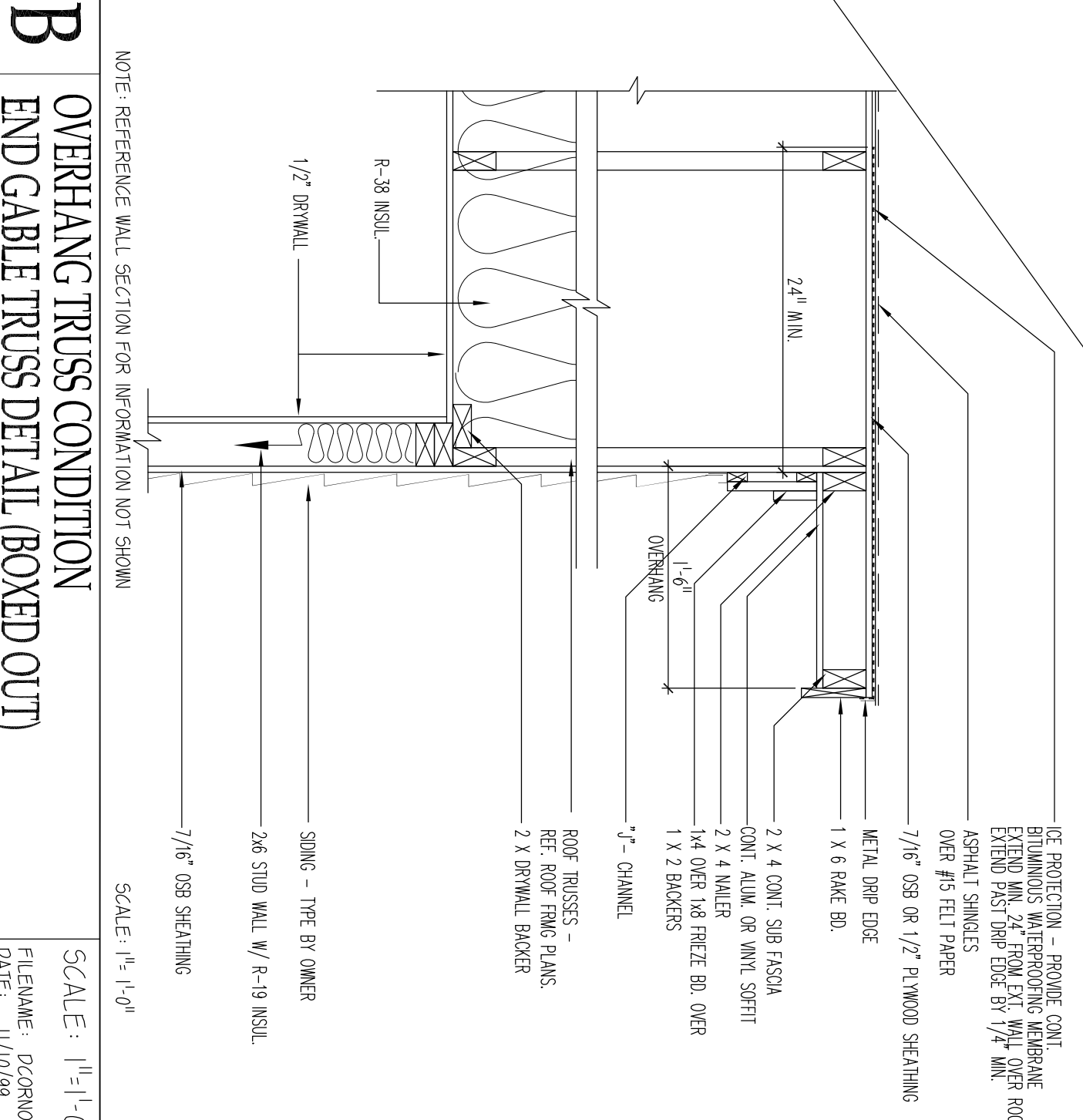
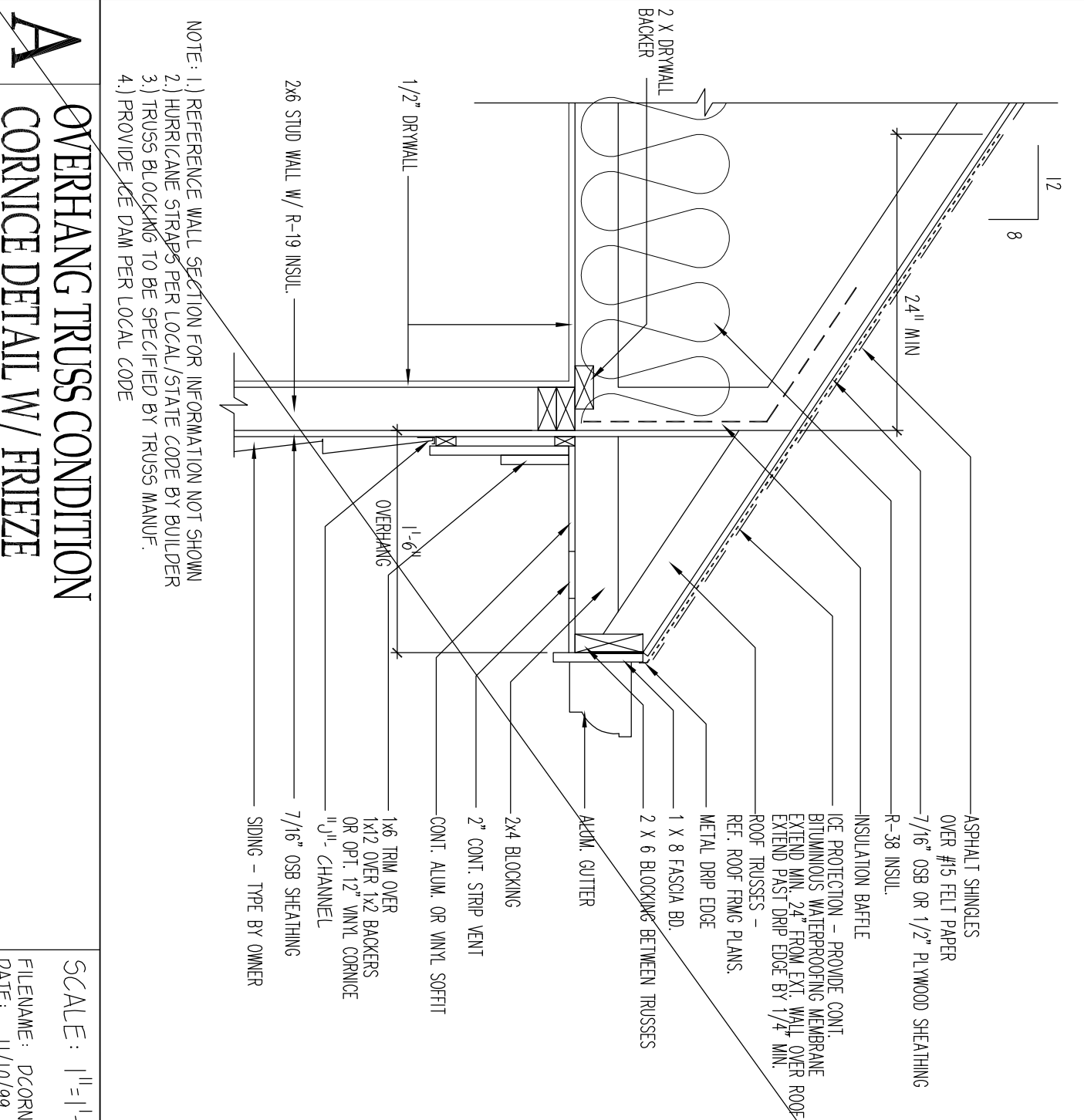


EXAMPLE HOUSE - DO NOT COPY

REAR ELEVATION
SCALE: 1/4" = 1'-0"



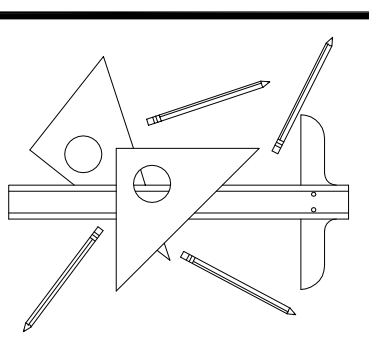
A OVERHANG TRUSS CONDITION CORNICHE DETAIL W/ FRIEZE SCALE: 1/4" = 1'-0" FILENAME: DCSRNO-01 DATE: 11/10/99

B OVERHANG TRUSS CONDITION END GABLE TRUSS DETAIL (BOXED OUT) SCALE: 1/4" = 1'-0" FILENAME: DCSRNO-02 DATE: 11/10/99

C OVERHANG TRUSS CONDITION CORNICHE DETAIL W/ FRIEZE SCALE: 1/4" = 1'-0" FILENAME: DCSRNO-01 DATE: 11/10/99

D OVERHANG TRUSS CONDITION CORNICHE DETAIL W/ FRIEZE SCALE: 1/4" = 1'-0" FILENAME: DCSRNO-01 DATE: 11/10/99

REVISIONS	
DRAWN BY:	DATE:
NOTES:	
DRAWN BY:	DATE:
NOTES:	
DRAWN BY:	DATE:
NOTES:	



VOGEL DRAFTING INC.
RESIDENTIAL DRAFTING SERVICES
4451 State Route 315, Pawlet, VT 05761
802-325-2720 Phone - 802-325-2721 Fax
Email - Vogelarchit@aol.com

www.vogeldrafting.com

Serving the Northeast in CT, DE, ME, MD, MA, NH, NY, PA, VT, VA, and D.C. Since 2000

WWW.VOGELDRAFTING.COM

Specializing in Custom Houses, Production Houses, Additions, Code Updates, and Plan Maintenance

the Smith Residence
REAR ELEVATION

DRAWN BY: KY
DATE: 6/11/08
FILE NAME:
CLIENT:
NOTES:

SHEET
4.01