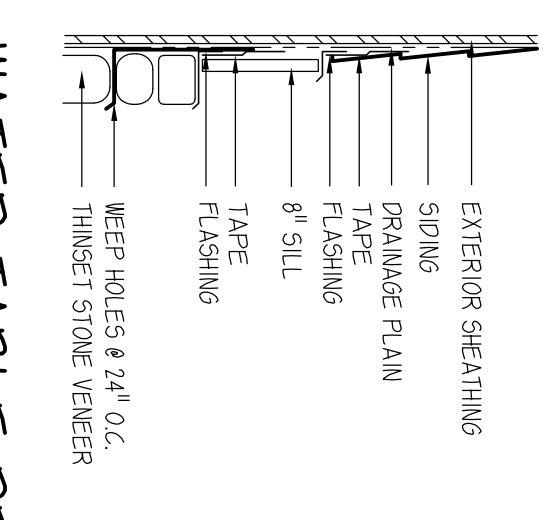
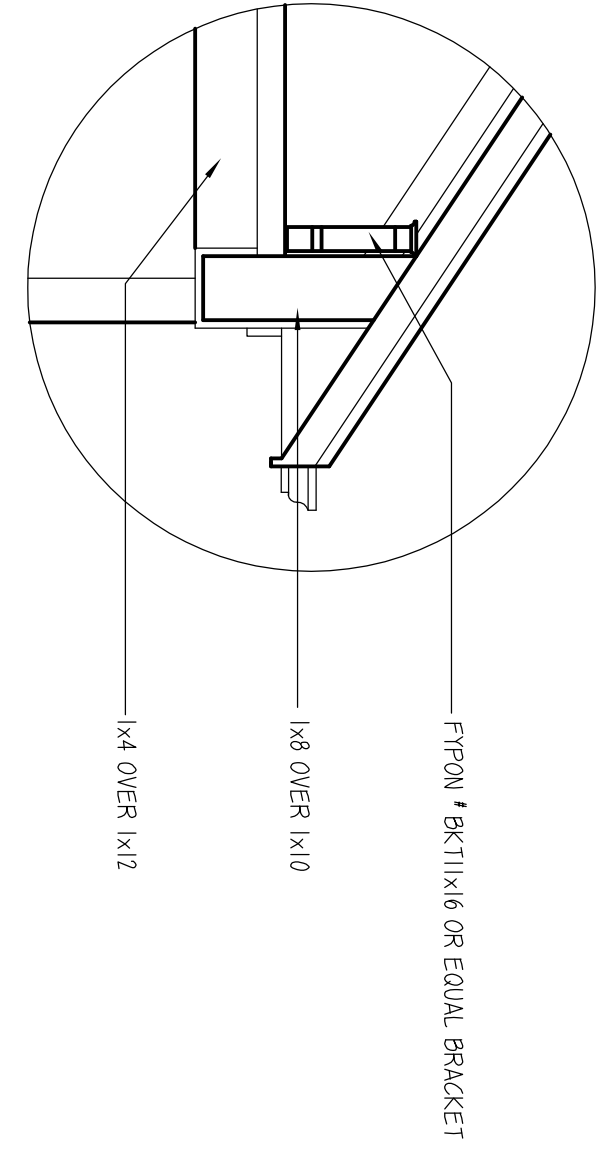
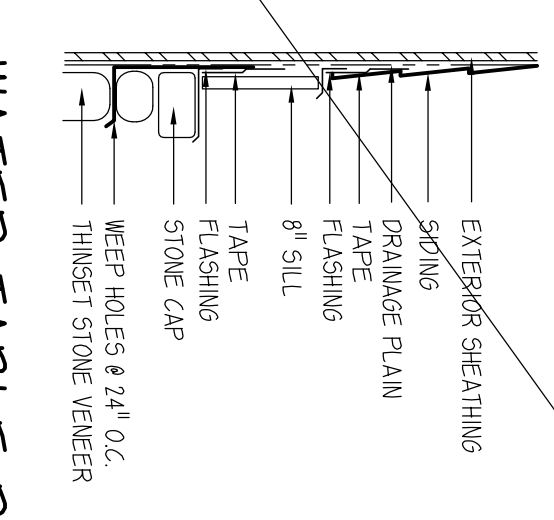
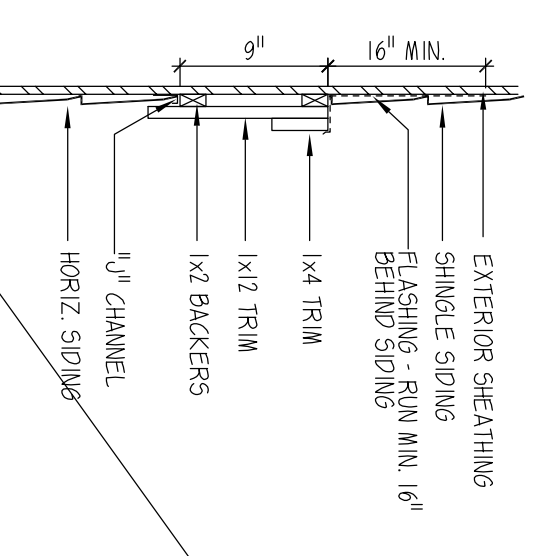
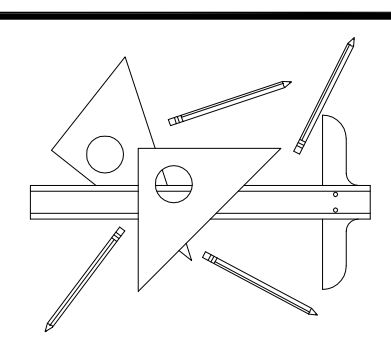


FRONT ELEVATION
 SCALE: 1/4" = 1'-0"
 NOTE: CONTRACTOR TO INSTALL THINSET STONE PER MANUFACTURER'S SPECIFICATIONS

EXAMPLE HOUSE - DO NOT COPY



REVISIONS	
DATE:	NOTES:
DATE:	NOTES:
DATE:	NOTES:
DATE:	NOTES:



VOGEL DRAFTING INC.
 RESIDENTIAL DRAFTING SERVICES
 4451 State Route 315, Pawlet, VT 05761
 802-325-2720 Phone - 802-325-2721 Fax
 Email - Vogelarchit@aol.com

WWW.VOGELDRAFTING.COM

the Smith Residence
 FRONT ELEVATION

DATE: 6/11/08
 FILE NAME:
 CLIENT:
 NOTES:
 SHEET
4.00